

GE Monogram<sup>®</sup>

Installation

Instructions

**30" Built-In Ovens**

*Models*

*ZET757WW*

*ZET757BW*

*ZET737WW*

*ZET737BW*

Before you begin—Read these instructions completely and carefully.

**IMPORTANT:** Save these instructions for local inspector's use.

**IMPORTANT: OBSERVE ALL GOVERNING CODES AND ORDINANCES.**

**NOTE TO INSTALLER:** Be sure to leave these instructions with the Consumer.

**NOTE TO CONSUMER:** Keep these instructions with your Use and Care Book for future reference.

**⚠ WARNING** This appliance must be properly grounded. See "Electrical Supply", page 13.

If you have questions concerning the installation of this product, call the GE Answer Center® Consumer Information Service at 800.626.2000, 24 hours a day, 7 days a week.

Proper installation is the responsibility of the installer. Product failure due to improper installation is not covered under the GE Appliance Warranty. See the Use & Care Guide for warranty information.

If you received a damaged oven, you should contact your dealer.

**CAUTION:**

- This oven should be installed by a qualified installer or service technician.
- Never use the oven for warming or heating a room. Prolonged use of the oven without adequate ventilation can be hazardous.

Check with local utilities for electrical codes which apply in your area. Local codes vary. Installation, electrical connections and grounding must comply with applicable codes. In the absence of local codes, the oven should be installed in accordance with National Electrical Code ANSI/NFPA 70-1990.

Contents

<i>Design Information</i>	
Models Available .....	3
Dimensions and Clearances .....	3
Cabinet Style Options .....	4
<i>Cabinetry</i>	
Tools and Materials required .....	5
Framed Cabinet, Double Oven .....	5
Framed Cabinet, Single Oven .....	6
Frameless Cabinets .....	7
Single Oven Installed Below a Countertop .....	8
<i>Cabinetry Modification Suggestions</i>	
Provide Oven Supports .....	9
Install Oven Supports .....	9
Determine Need for Filler Panels .....	10
Filler Panel Construction .....	10
Cut Rail for Filler Panel .....	11
Cut Appearance Panel .....	11
Determine Location of Cleats .....	11
Cut and Secure Cleats to Filler Panel .....	12
Secure Rail to Appearance Panel .....	12
Secure Assembled Filler Panel to Cabinet .....	12
<i>Installation</i>	
Tools and Materials Required .....	13
Electrical Locations .....	14
Remove Oven Door .....	14
Route Cable Through Cutout .....	14
Connect Electrical .....	14, 15
Secure Oven to Cabinet .....	15
Attach Lower Trim .....	16
Replace the Oven Door .....	16

# Design Information

## Built-In Ovens

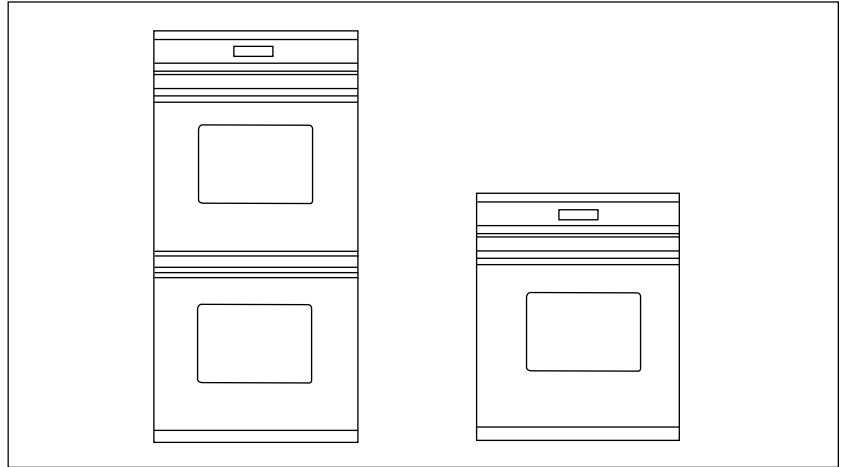
Models available

**ZET757WW**  
White double convection oven

**ZET757BW**  
Black double convection oven

**ZET737WW**  
White single convection oven

**ZET737BW**  
Black single convection oven



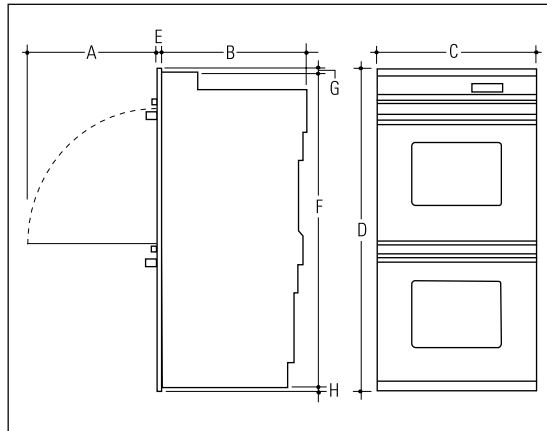
With both single and double built-in styles, contemporary Monogram ovens offer an array of choices for the custom kitchen:

- Built-in double convection ovens
- Built-in single convection ovens

Dimensions and clearances

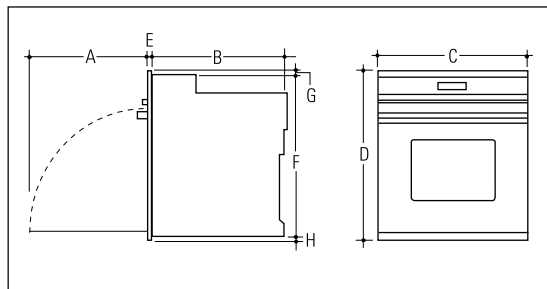
### Double oven

- A - 21" (533 mm)
- B - 23-1/2" (597 mm)
- C - 29-3/4" (756 mm)
- D - 52-15/16" (1345 mm)
- E - 15/16" (24 mm)
- F - 50-15/16" (1260 mm)
- G - 1"
- H - 1"



### Single oven

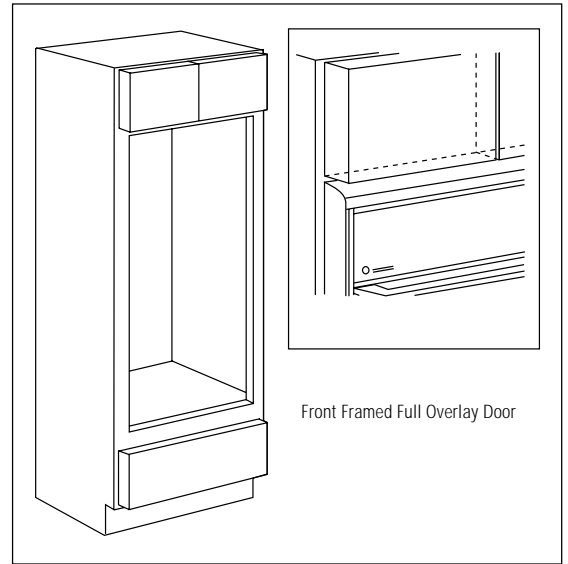
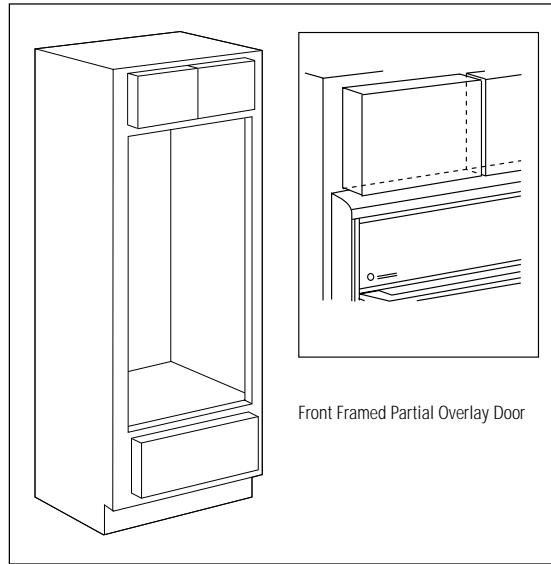
- A - 21" (533 mm)
- B - 23-1/2" (597 mm)
- C - 29-3/4" (756 mm)
- D - 28-1/4" (718 mm)
- E - 15/16" (24 mm)
- F - 26-1/4" (667 mm)
- G - 1"
- H - 1"



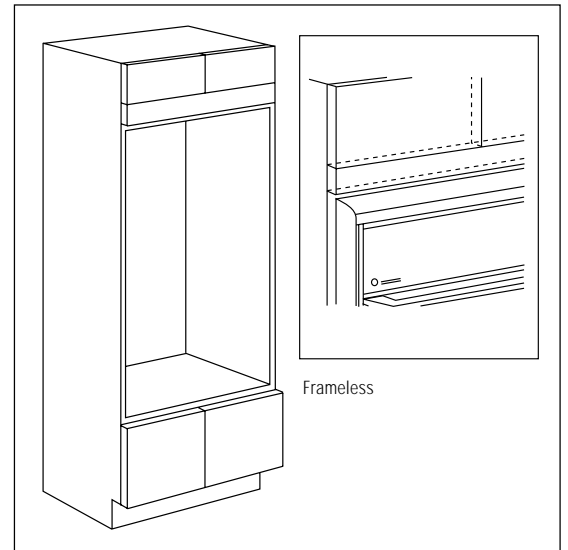
# Design Information

## Built-In Ovens

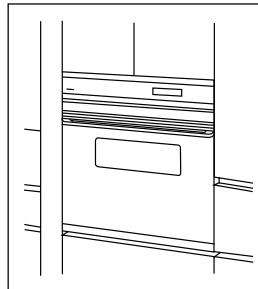
Cabinet style options



Monogram ovens are installed directly into a wall or wall oven cabinetry, 30" minimum width. The front surface of the ovens will be nearly flush with surrounding cabinetry. To obtain optimal appearance, cabinet cutouts must be exact. The examples shown here illustrate typical styles of 30" cabinets and oven fit. Installation instructions for each of these basic cabinetry styles are provided in this section.



*Designer Note:* Whenever possible, align the oven with cabinetry details such as drawers, doors and reveals.



# Cabinetry

## Built-In Ovens

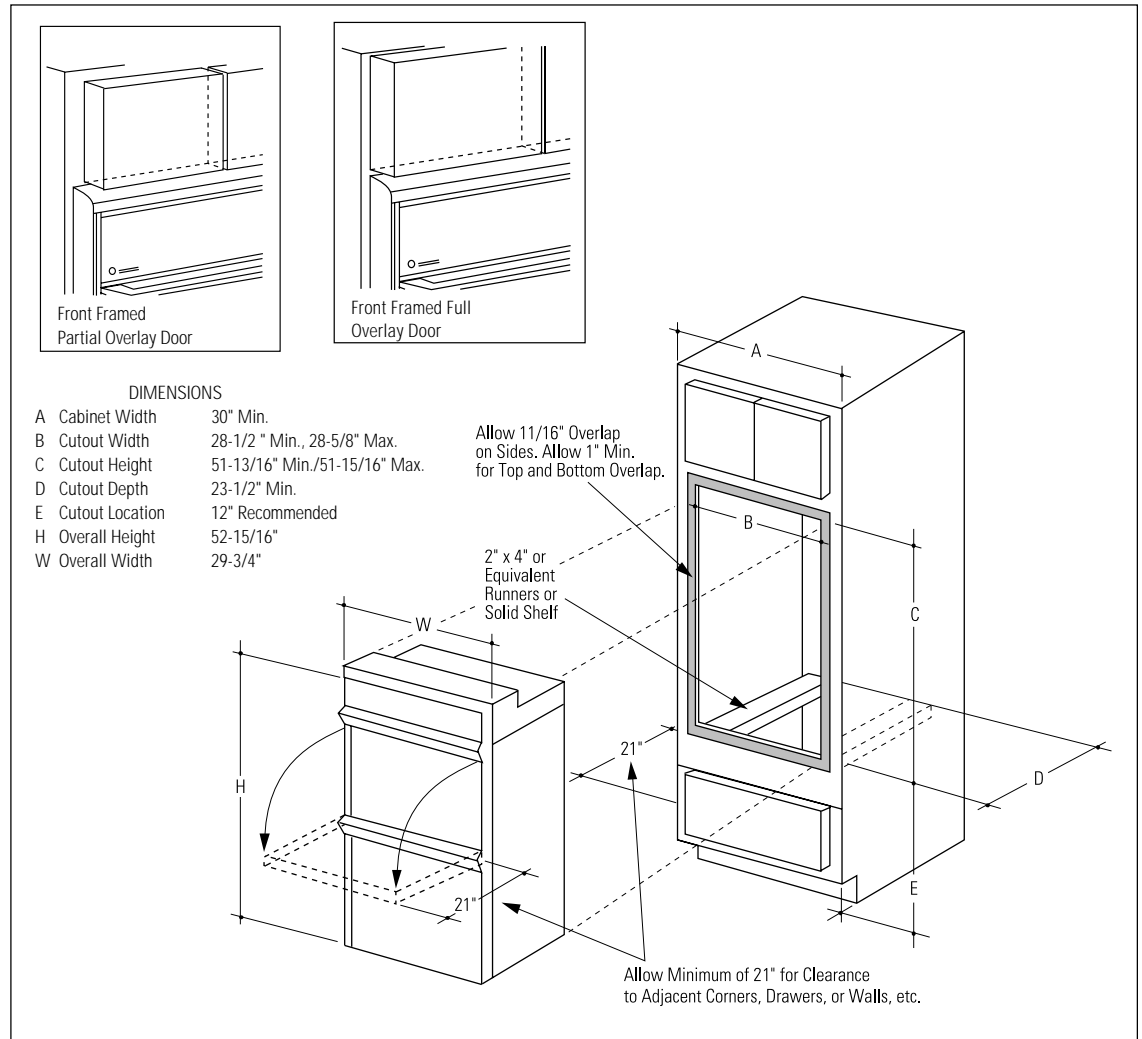
### Tools and materials required

- 2" x 4" lumber for runners
- Saw
- Level
- Phillips screwdriver and wood screws or other hardware for installing runners or shelf to support oven.

Ovens are designed for installation in a cabinet 30" min. wide.

- Cut 2" x 4" runners of appropriate length or solid shelf to support oven.
- Attach runners or solid shelf in opening as shown.
- Runners must be level and rigidly mounted.

### Framed cabinet double oven



Use the information in this dimension drawing for typical framed cabinets. The front face of the oven will be flush with cabinetry doors or drawers.

Order a 30" double oven cabinet.

Rough opening for double oven must be:

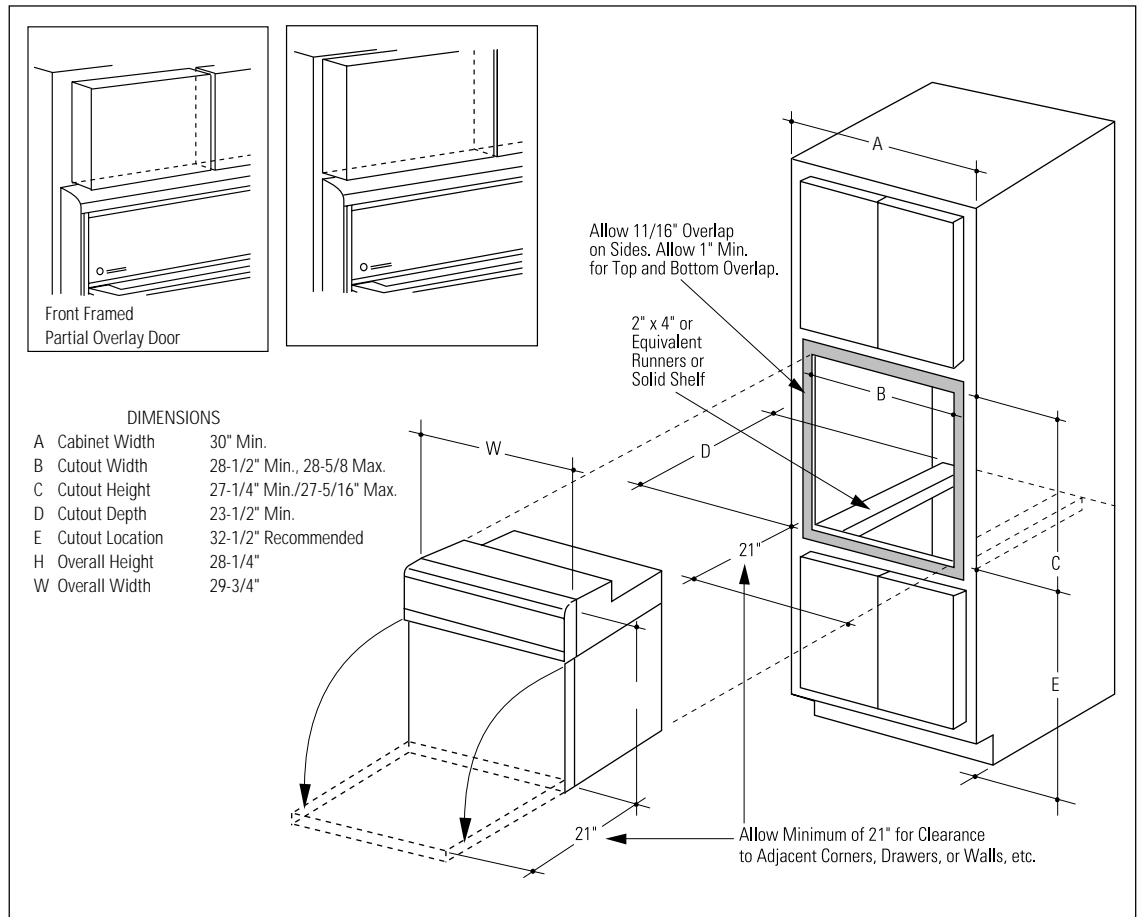
- Depth—23-1/2" min. from inside back to front of cabinet frame.
- Width—28-1/2" min., 28-5/8" max.
- Height—51-13/16" min. 51-15/16" max.

- Recommend distance from floor to bottom of oven is 12".
- All 30" Monogram ovens require 11/16" overlap to both sides. Allow 1" min. for top and bottom overlap.
- Oven overlaps will conceal all raw edges.

# Cabinetry

## Built-In Ovens

### Framed cabinet single oven



Use the information in this dimension drawing for typical framed cabinets. The front face of the oven will be flush with cabinetry doors or drawers.

Order a 30" single oven cabinet.

Rough opening for single oven must be:

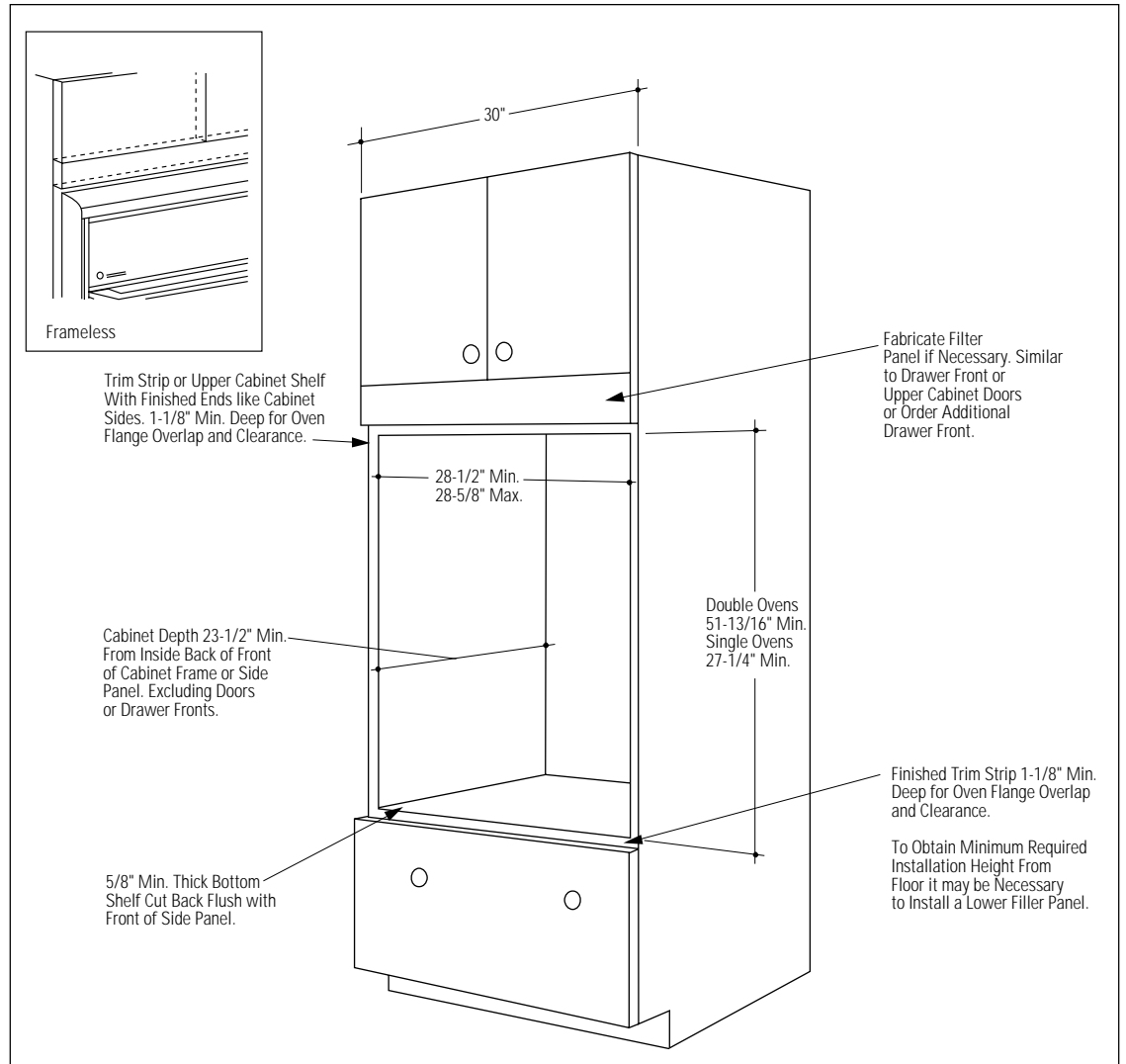
- Depth—23-1/2" min. from inside back to front of cabinet frame.
- Width—28-1/2" min., 28-5/8" max.
- Height—27-1/4" min. 27-5/16" max.

- 32-1/2" from floor is recommended to bring oven floor to countertop height.
- All Monogram ovens require 11/16" overlap on both sides. Allow 1" min. for top and bottom overlap.
- Oven overlaps will conceal all raw edges.

# Cabinetry

## Built-In Ovens

### Frameless cabinets



Use the information in this dimension drawing for typical frameless cabinets. The front face of the oven will be flush with cabinetry doors or drawers.

- Width—28-1/2" min., 28-5/8" max.
- Height—for double oven 51-13/16" min.
- Height—for single oven 27-1/4" min.

Whenever possible, order 30" frameless cabinet with the cutout sized to fit the oven. If you are using stock cabinets, additional finished filler pieces may be required to cover openings.

Rough opening for single and double ovens:

- Depth—23-1/2" min. from inside back to front of cabinet or side panel, excluding doors or drawer fronts.
  - If the cabinet is not 23-1/2" deep, the back of the cabinet should be cutout. The cutout should be minimized in order to maintain structural strength and squareness of the cabinet.

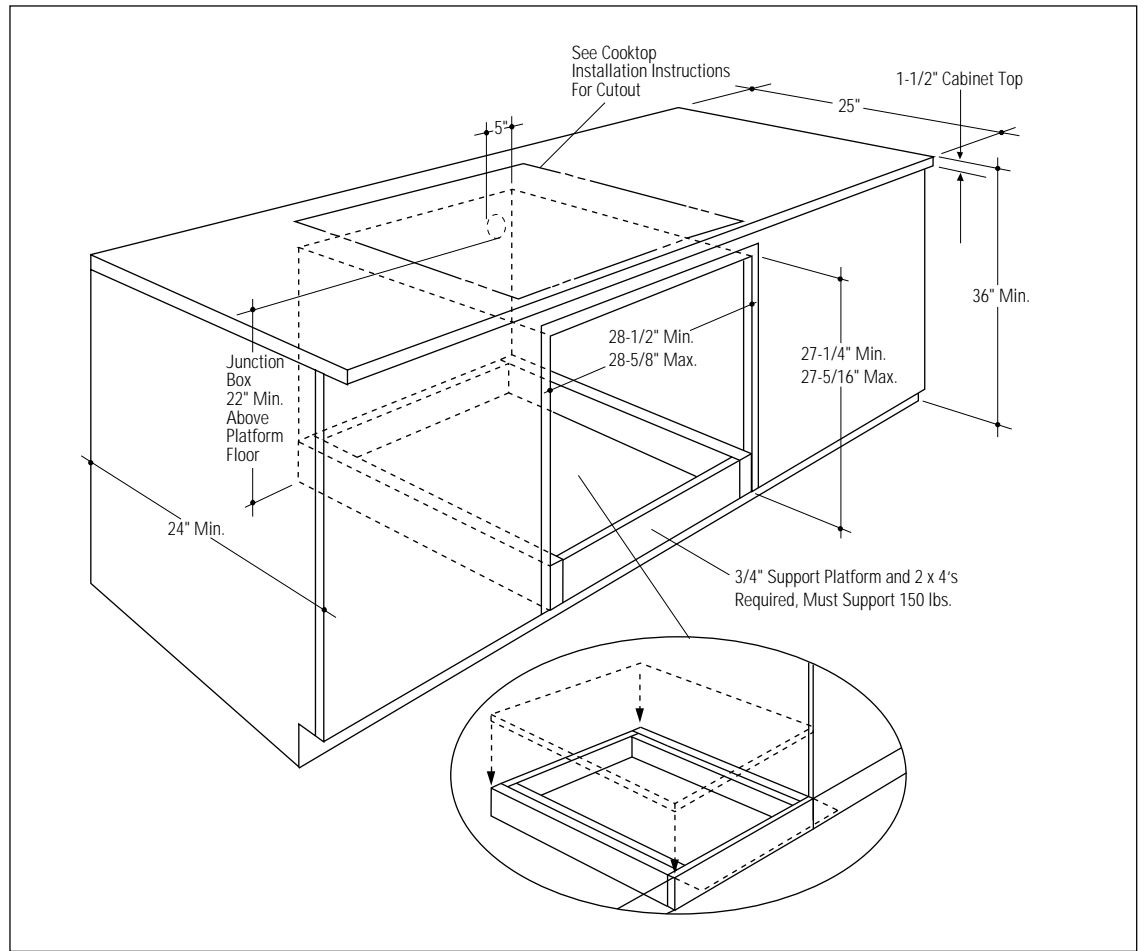
Both single and double ovens require 11/16" overlap around edges of opening on both sides. Allow 1" for top and bottom overlap.

- Allow 1/8" clearance between top of oven and cabinet door or panel and 1/8" between bottom of oven and cabinet drawer.
- Installation of double oven requires a total height of 53-3/16" including clearances at top and bottom.
- Installation of single oven requires a total height of 28-1/2" including clearances.

# Cabinetry

## Built-In Ovens

Single oven  
installed  
below a  
countertop



These ovens can be installed below a countertop. The rough opening of the base cabinet should be:

- Depth—23-1/2" min. from inside back to front of cabinet frame.
- Width—28-1/2" min., 28-5/8" max.
- Height—27-1/4" min. 27-5/16" max.

All Monogram single ovens require 11/16" on both sides. Allow 1" min. for top and bottom overlap.

- Oven overlaps will conceal raw edges.

Locate the junction box:

- Within 5" of the right side of the opening.
- 22" min. above the support platform.
- Gas or electric cooktops may be installed over this oven. See cooktop instructions for cutout dimensions. See label on the top of the oven for approved cooktop models.



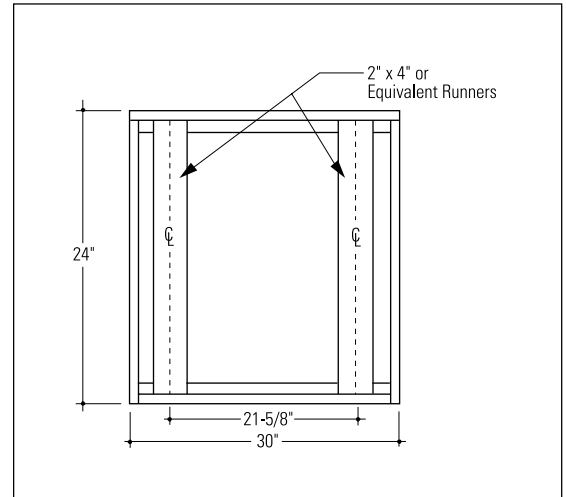
# Cabinetry Modification Suggestions

## Built-In Ovens

### Provide oven supports

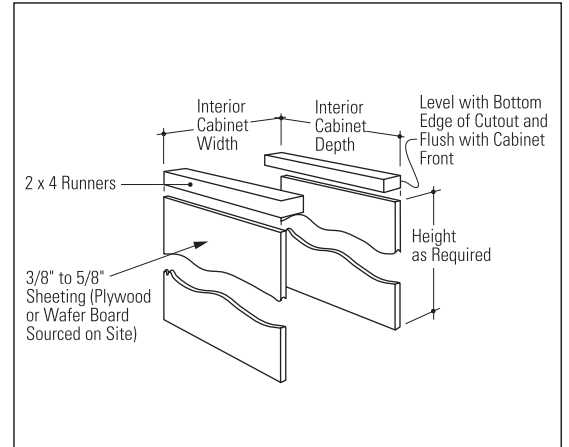
The ovens may be supported by either a solid bottom or 2 x 4 runners.

- The support must be level and rigidly mounted, flush with the bottom edge of the cutout.
- The entire weight of the oven is supported by 2 x 4 runners or the solid floor and must be capable of supporting 275 lbs. for double ovens and 150 lbs. for single ovens.



### Install oven supports

- Measure and mark the location of the runners or solid floor.
  - 12" recommended from the floor to the top of support, for double ovens.
  - 32-1/2" recommended from the floor to the top of support, for single ovens.



# Cabinetry Modifications Suggestions

## Built-In Ovens

*Determine need for filler panels*

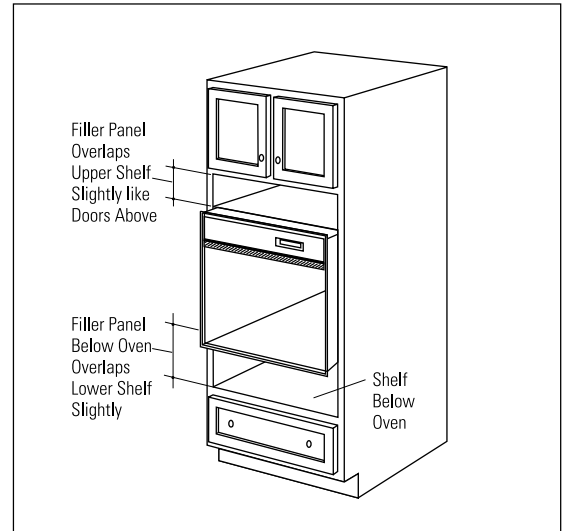
If the cabinets being used have an opening that is taller than the maximum dimensions indicated for the ovens, filler panels can be made to fill the gaps. Stock filler strips are usually available or for larger gaps order an extra drawer front. Drawer fronts are recommended because they will match the cabinetry and have finished edges. Any cut edges will be seen and should be finished.

Frameless cabinets usually come with a front panel covering the opening. For the optimum finished look, this panel can be removed and used to construct filler panels.

The oven support floor and supports should be installed at the required locations.

If there is a gap between the oven support floor and the bottom of the opening, a bottom filler panel should be constructed to fill the gap.

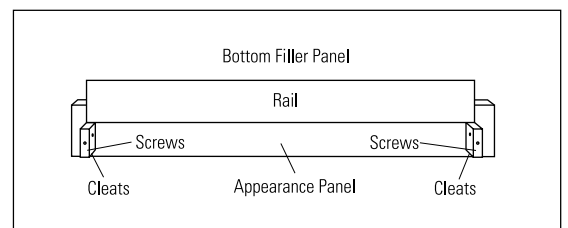
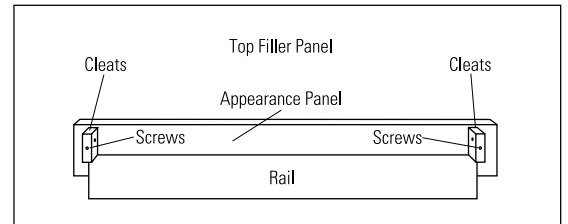
Measure from the oven support floor to the top of the opening. If the opening height is larger than the maximum cutout height, a filler panel should be constructed to fill the gap.



*Filler panel construction*

We suggest that the filler panel be constructed using 4 pieces:

- Appearance panel to match doors and drawers.
- A rail which will be covered by the oven overlaps and conceal any slight gap between the top or bottom of the oven and the start of the filler panel. The face of the rail should be made of finished matching material; the cut edges and ends do not need to be finished.
- Cleats which will be used to secure the filler panel and rail to the cabinet. One for each side.



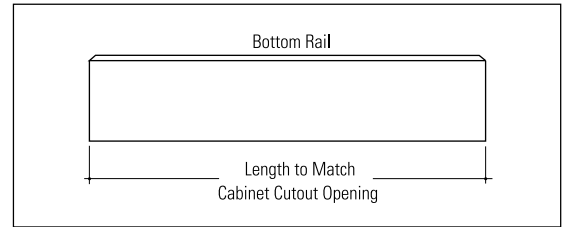
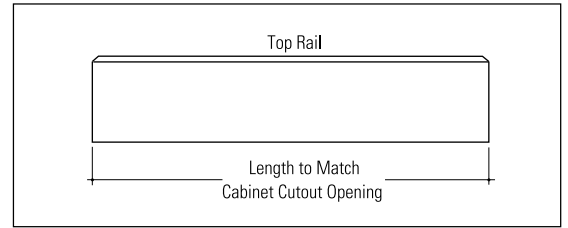
# Cabinetry Modification Suggestions

## *Built-In Ovens*

*Cut rail for filler panel*

Cut the rail out of finished material:

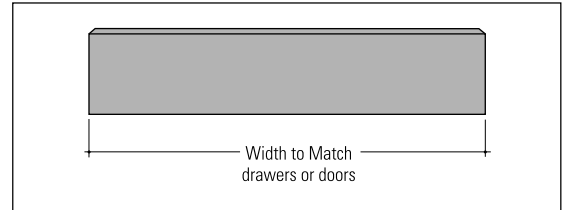
- The width should match cabinet opening width.
- The height of the top and bottom rail should be enough to securely attach the rail to the appearance panel, plus 1" oven trim overlap.
- The height of both the top and bottom rails should be adjusted depending upon the height of the gap to be filled or to enhance appearance.



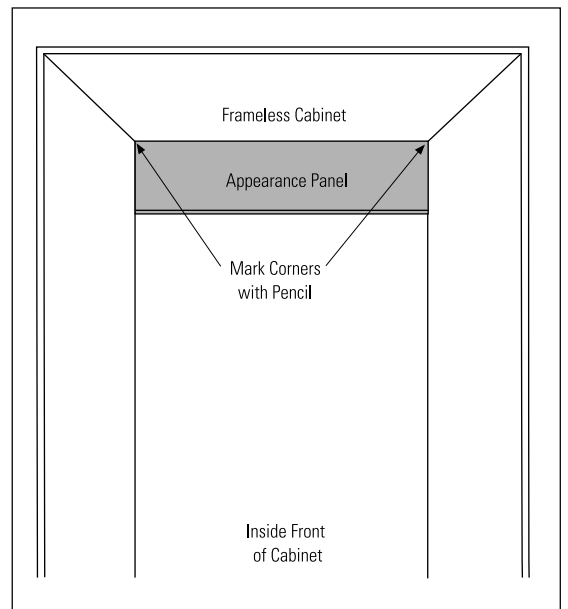
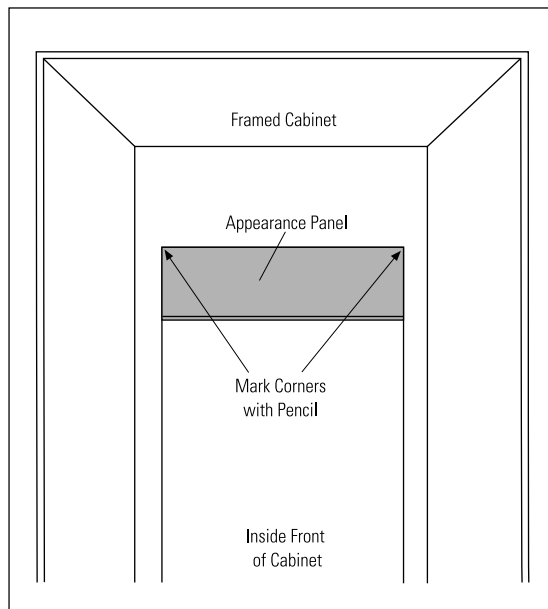
*Cut appearance panel*

Use drawer fronts for appearance panels or cut finished material and finish raw edges.

- The appearance panel width should match drawer fronts or doors.
- Make the appearance panel appropriate height to fill the gap above or below the oven, allowing for reveals and overlaps to match existing drawers or doors.



*Determine location of cleats*



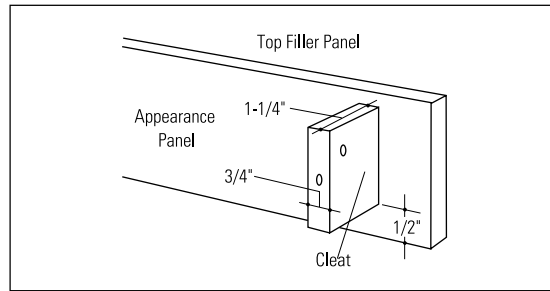
- To find the exact position of the cleats, place the appearance panel onto the cabinet in desired position and align to match the other drawers and doors.

- Use a pencil to mark the back side of the panel where it meets the cabinet corners.

# Cabinetry Modification Suggestions

## Built-In Ovens

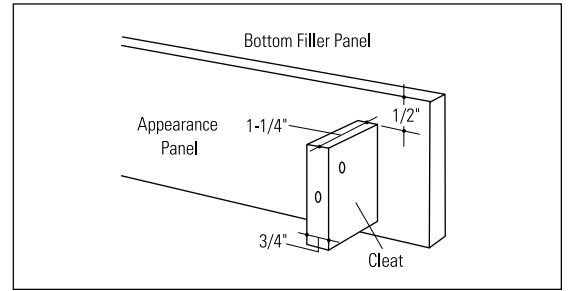
Cut and secure cleats to filler panel



For the top filler panel:

- Cut 2 cleats out of 3/4" thick material, approximately 1-1/4" wide.
- Cut the cleats to a length leaving approximately 1/2" at the bottom of the appearance panel to attach the rail.
- Position the outside edge and top of the cleat against the corner pencil marks.
- Secure the cleat to the appearance panel with screws.

*Note:* The screws should be long enough to secure the cleats to the filler panel without penetrating the appearance side.

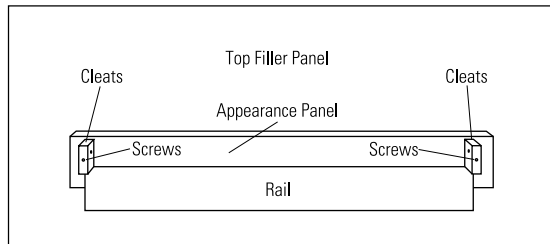


For the bottom filler panel:

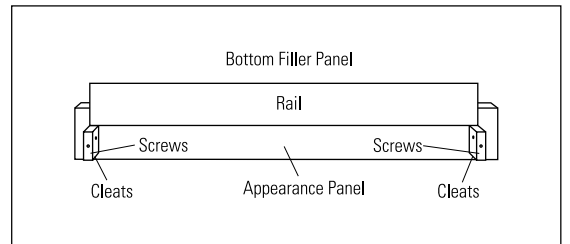
- Cut 2 cleats out of 3/4" thick material, approximately 1-1/4" wide.
- Cut the cleats to a length leaving approximately 1/2" at the top of the filler panel to attach the rail.
- Position the outside edge and bottom of the cleat against the corner pencil marks.
- Secure the cleat to the appearance panel with screws.

*Note:* If appearance panel is very narrow, cleats can be attached to the rail.

Secure rail to appearance panel

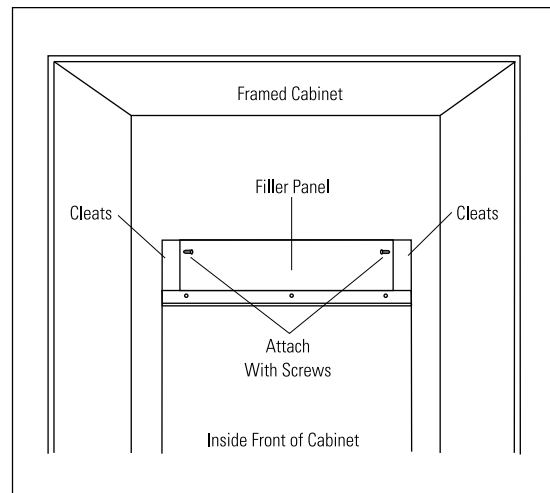


- Place rail against cleats and flush with the outside edges of the cleats. Secure with wood screws. If the appearance panel is very narrow, cleats can be attached to the rail.

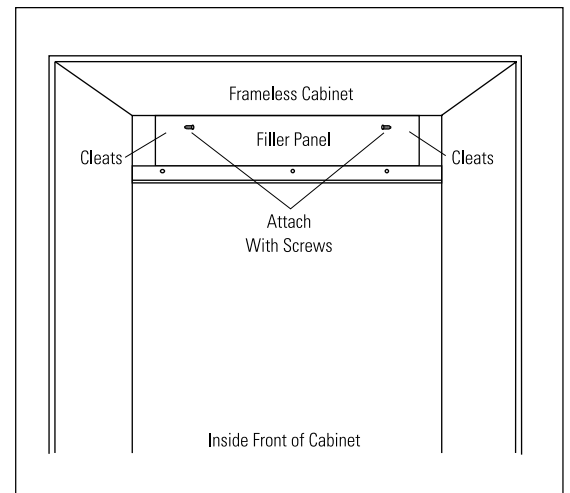


*Note:* The screws should be long enough to secure rail to the filler panel without penetrating the finished face of the filler panel.

Secure assembled filler panel to cabinet



- Place filler panel in proper position. To attain proper relationship to adjacent drawers and doors



you may need to space the filler panel out from the cabinet face/edges using drawer bumpers or other spacers.

# Installation

## Built-In Ovens

### Tools and materials required

- Outlet box
- Electrical cable—3-conductor or 4-conductor wire—as required by local codes
- Flexible power cable connector
- Electrician's pliers

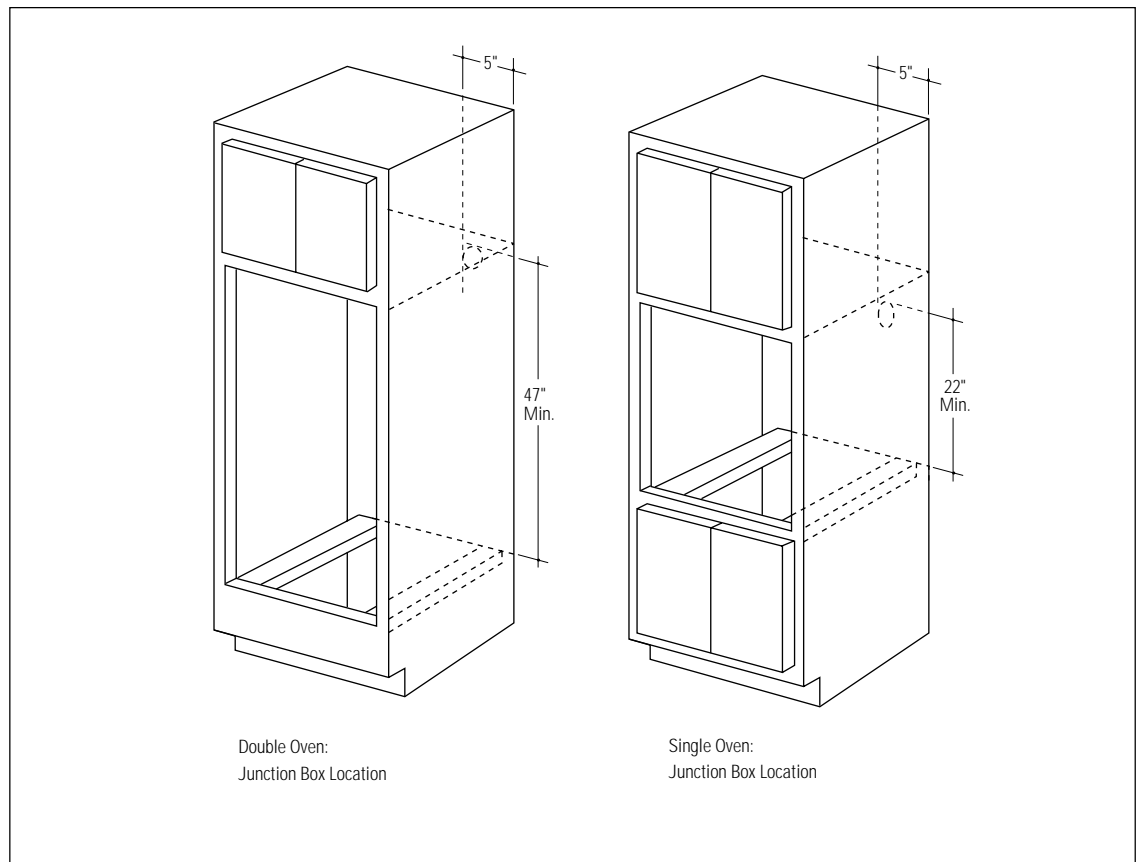
*Note:* Do not use an extension cord with these appliances.

Monogram built-in single and double ovens require a separate, properly grounded 3-wire 120/208 or 120/240 volt, 60 Hz power supply, protected by a time delay fuse or circuit breaker. Ovens are supplied with a flexible power cable, which must be attached to a junction box. The cable length for these ovens is 48".

Double ovens are rated 8.0 KW at 240 volt, and 6 KW at 208 volt.

Single ovens are rated 4.0 KW at 240 volt, and 3 KW at 208 volt.

### Electrical locations



#### For double oven:

- Locate and install the junction box within reach of the power cord.
  - Approximately 5" from the **right side** of opening
  - 47" minimum above the cutout floor
  - or, through the **right side** of cabinet wall into adjacent cabinet.

#### For single oven:

- Locate and install the junction box within reach of the power cord.
  - Approximately 5" from **right side** of opening.
  - 22" above the cutout floor
  - or, through the **right side** of cabinet wall into adjacent cabinet.

# Installation

## Built-In Ovens

### Remove oven door

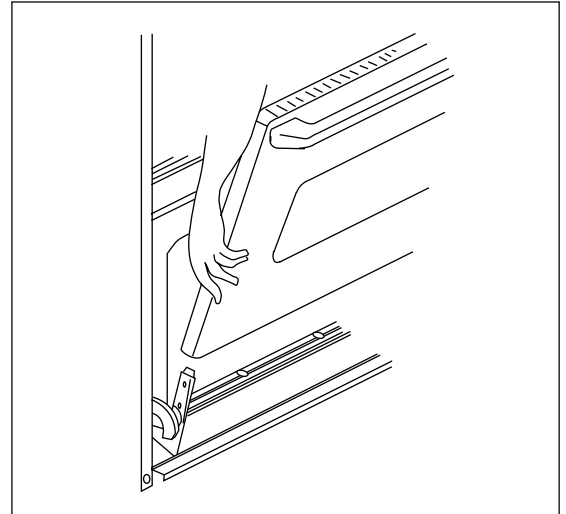
**⚠ CAUTION** Do not lift oven or oven door by handle. Door glass breakage or handle damage may occur. Glass surface of door face extends beyond door frame on each side; be careful not to impact this exposed glass.

**⚠ CAUTION** When door is removed and hinge arms are at stop position, do not bump or try to move hinge arms. Hinges could snap back, causing an injury to hands.

#### Remove oven doors:

- Open the door to broil stop position.
- Grasp each side of door, lifting up and off the hinges.
- Cover hinges with toweling while working in oven area.

*Note:* The lower front trim is packed separately and should not be attached until the oven is installed and secured to the installation opening.

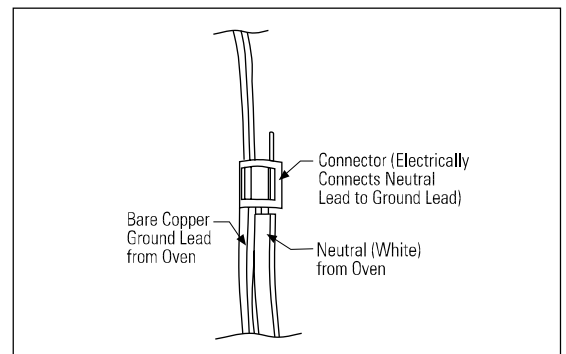
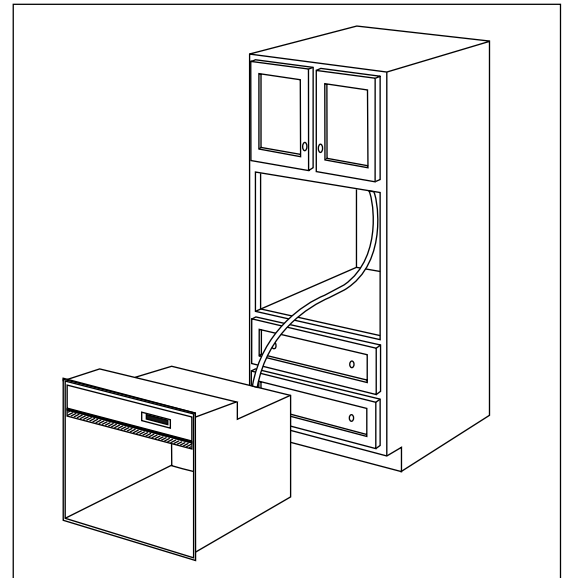


### Connect electrical

**⚠ CAUTION** Be sure you do not tip the unit forward during installation or you may bend the Lower Side Trim.

#### With oven in front of cabinet opening:

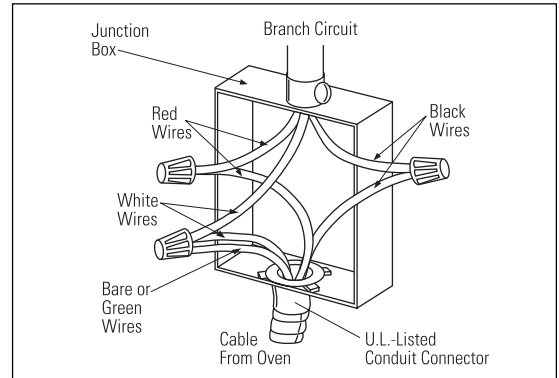
- Connect oven power cable to junction box, using flexible power cable connector.
  - Be sure connections are secure.



# Installation

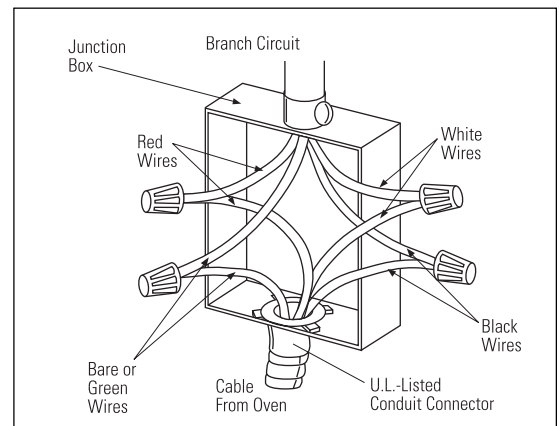
## Built-In Ovens

- When connecting to a 3-conductor branch circuit:
  - Connect oven red lead to branch circuit red lead.
  - Connect oven black lead to branch circuit black lead.
  - Connect oven bare copper conductor and white lead to branch circuit neutral lead (white or gray).



- When connecting to a 4-conductor branch circuit:
  - Connect oven red lead to branch circuit red lead.
  - Connect oven black lead to branch circuit black lead.
  - Break connection between oven white lead and oven bare copper conductor.
  - Connect oven white lead to branch circuit neutral lead (white or gray).
  - Connect oven bare copper conductor to branch circuit ground lead (green or bare copper).

*Note:* Aluminum house wiring requires use of special aluminum-to-copper connectors. Follow manufacturer's instructions carefully.



Secure oven to cabinet

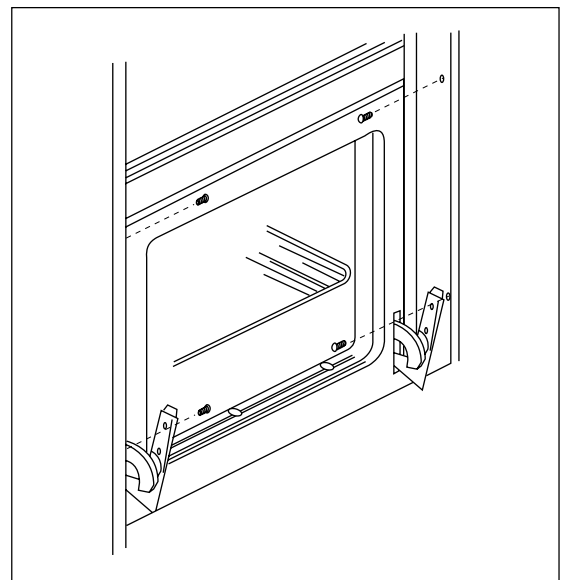
- Position the flexible conduit on top of the oven in such a manner that it will not interfere with proper installation.
- Slide oven into cabinet opening.
- Drill 3/32" pilot holes through mounting holes in oven front frame. (4 holes for single oven, 8 holes for double oven.)
- The screws must be within 1/4" of the front edge of the cutout.
- Secure oven in place with screws furnished. (Use drywall or particle board screws if cabinet is particle board).

### ⚠ WARNING

**Securely fasten oven to cabinet using the screws provided.** Failure to do so could cause the oven to move or tip during use and result in personal injury.

### ⚠ CAUTION

Be sure you do not tip the unit forward during installation or you may bend the Lower Side Trim.



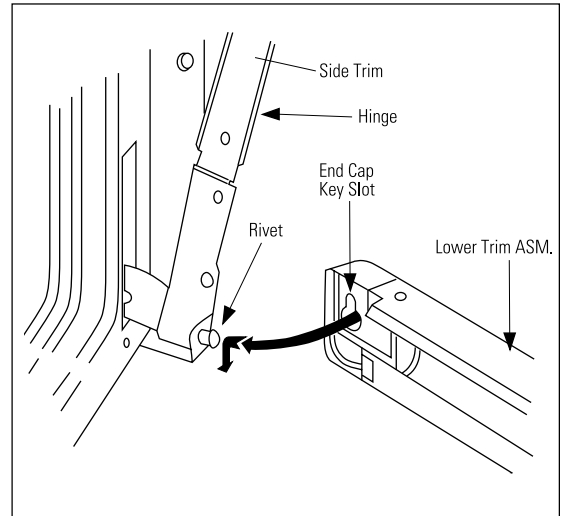
# Installation

## Built-In Ovens

Attach  
lower  
trim

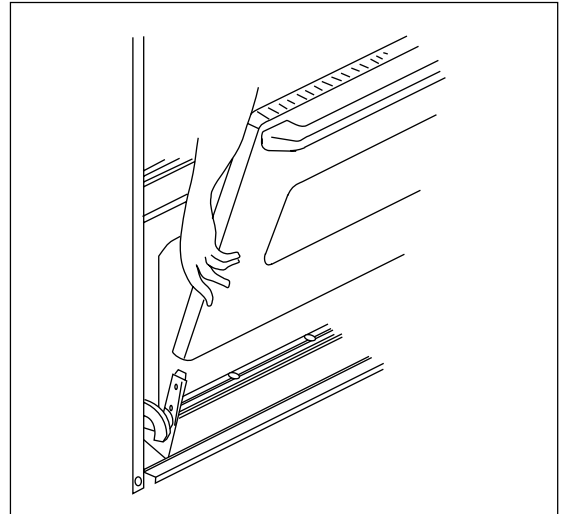
- Attach the lower trim at the bottom of the oven:
  - Align the key slot on the trim piece to the rivets on the oven.
  - Push the trim down until it snaps into place.

**CAUTION** The bottom of the trim provides an opening for cooling air to enter the cabinet. This opening should never be blocked.



Replace the oven door:

- Remove toweling. The hinges should still be in broil stop position.
- Slide the door down onto the hinges as far as it will go. Close the door.











**NOTE:** While performing installations described in this book, safety glasses or goggles should be worn.

*To obtain specific information concerning any Monogram product or service, call GE Answer Center® consumer information service at 800.626.2000—any time, day or night.*

*For Monogram local service in your area, call 1-800-444-1845.*

**NOTE:** Product improvement is a continuing endeavor at General Electric. Therefore, materials, appearance and specifications are subject to change without notice.



General Electric Company  
Louisville, KY 40225

Pub. No. 49-8803  
© 1997 GE Appliances  
(N.D. 617) 2/97